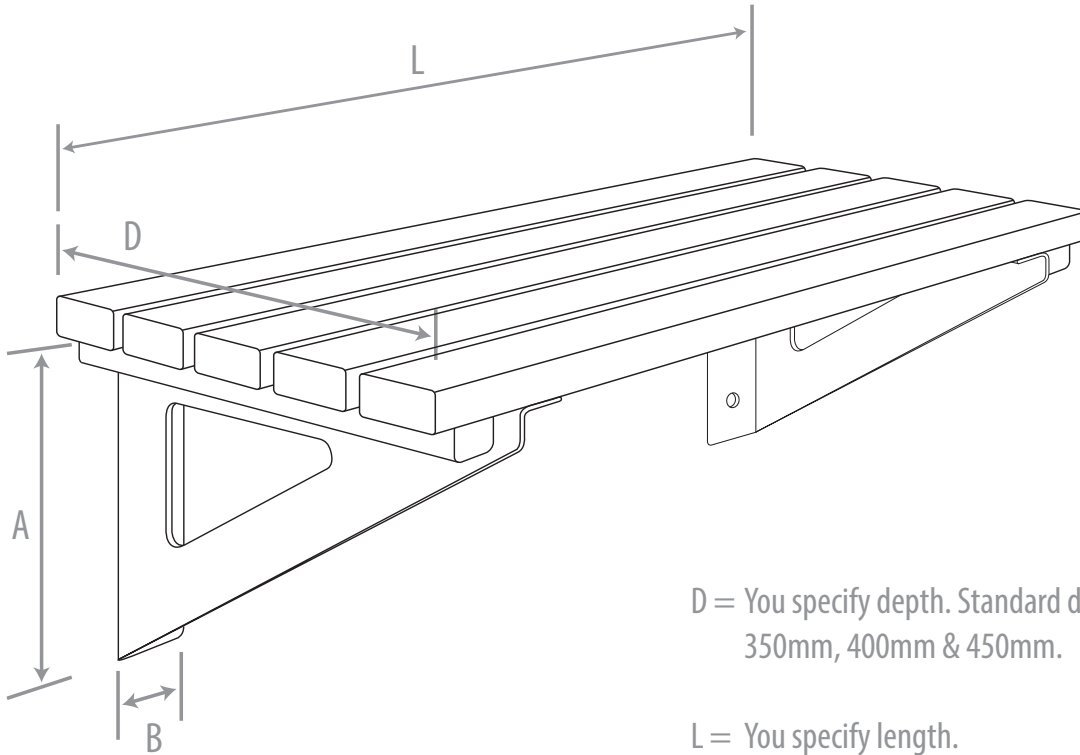


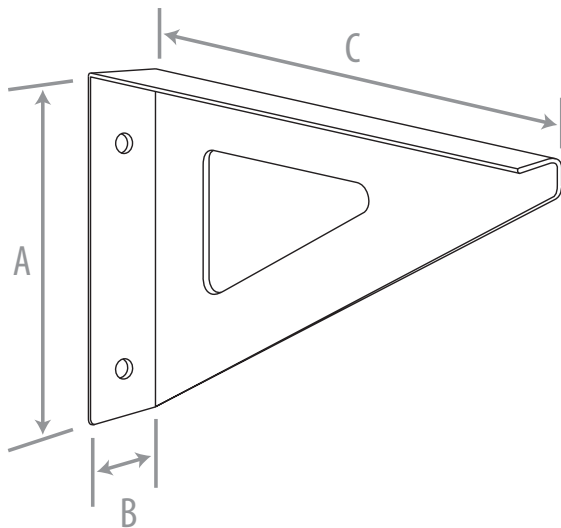
## Fixed Seat Specification



D = You specify depth. Standard depths are 350mm, 400mm & 450mm.

L = You specify length.

## Bracket Dimensions for Fixed Seat



Inner bracket view - All wall brackets are supplied separate to the seat and can be installed to required width.

## Bracket Dimensions for standard depths:

For a 350mm deep seat:

A = 230mm

B = 60mm

C = 335mm

For a 400mm deep seat:

A = 270mm

B = 60mm

C = 385mm

For a 450mm deep seat:

A = 330mm

B = 60mm

C = 435mm

Fixed Seating can be manufactured to any specified size.